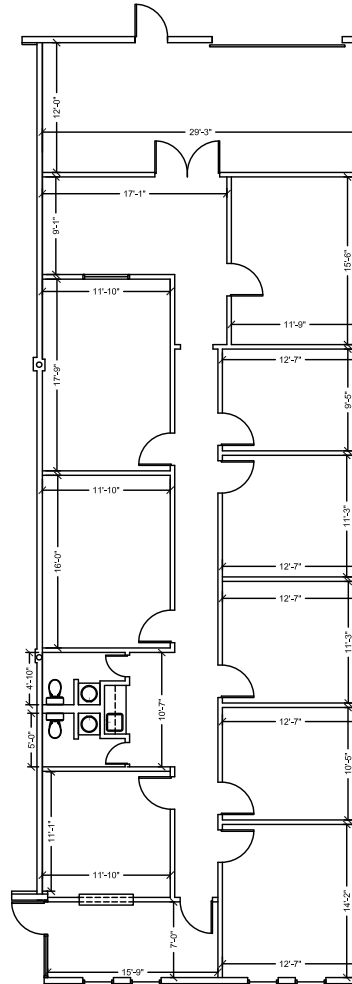
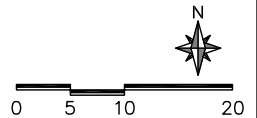


VACANT SUITE A-14 2,632 NUA



Floor plans are for conceptual purposes only; they are not to scale and may not reflect existing conditions. As-builts must be verified. Not for regulatory approval, permitting, or construction.



1

600 KENRICK SUITE A-14



CDI
Architecture • Interiors • Planning
5120 Woodway Dr.
Suite #7050
Houston, Texas 77056
Tel: (713) 783.5900
Fax: (713) 783.6066
www.cdi-douglas-pye.com

PROJ. 15347.CB
NOV. 09, 2015