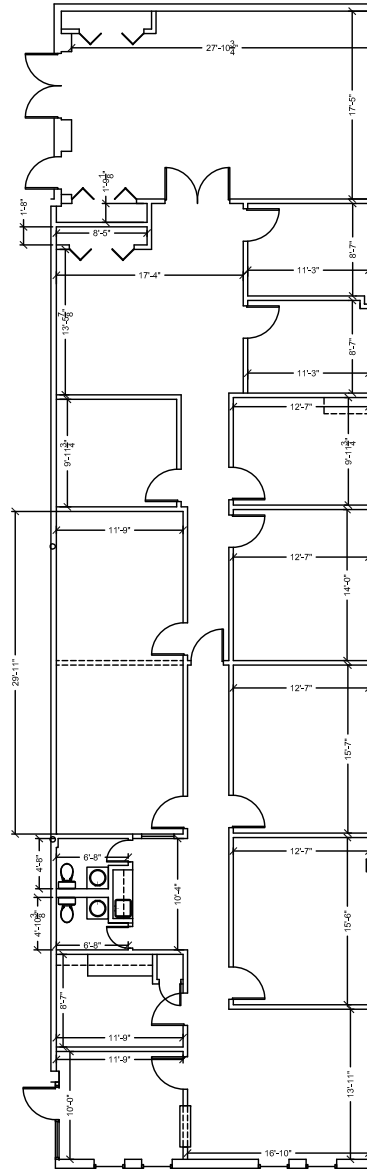


VACANT SUITE B-1 3,244 NUA



Floor plans are for conceptual purposes only; they are not to scale and may not reflect existing conditions. As-builts must be verified. Not for regulatory approval, permitting, or construction.

600 KENRICK LEVEL 01 SUITE B-1



0 5



CDI
Architecture • Interiors • Planning
5120 Woodway Dr.
Suite #7050
Houston, Texas 77056
Tel: (713) 783.5900
Fax: (713) 783.6066
www.cdi-douglas-pye.com

PROJ. 15347.CB
OCT. 30, 2015